

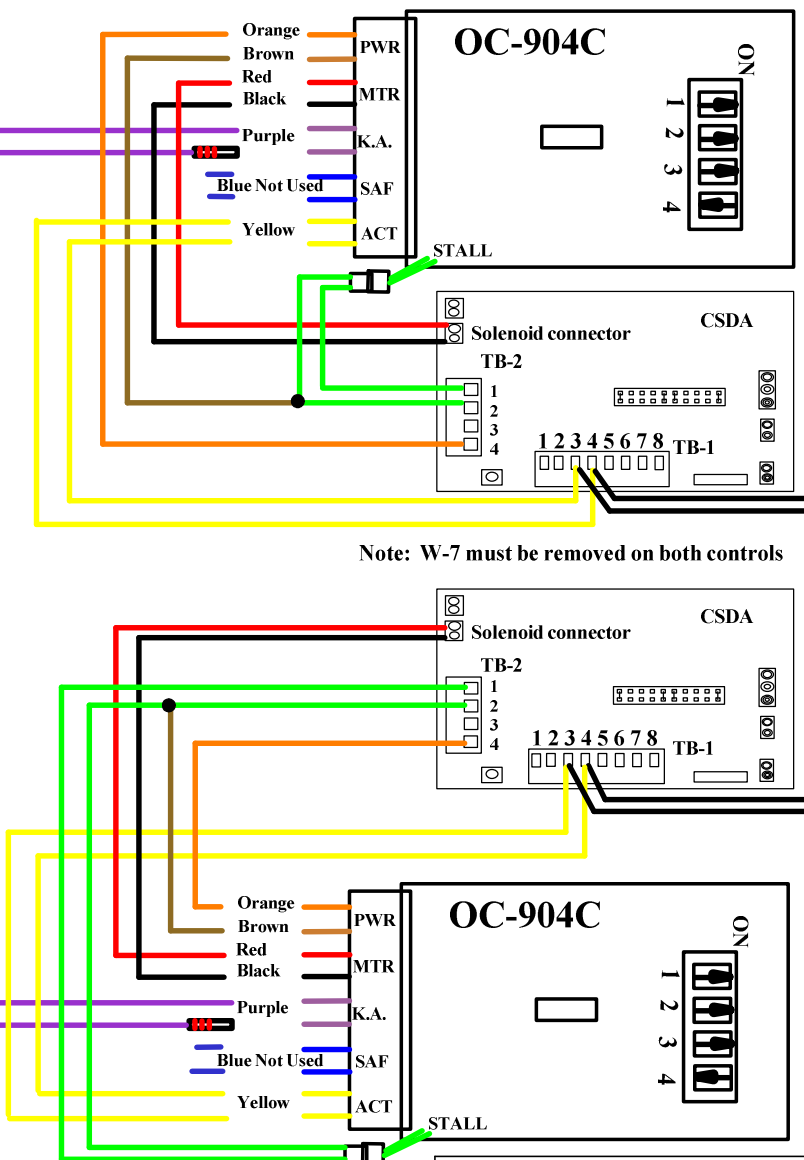
Activation Devices
Push Plates, Card Readers
Sensors, Etc.

Activation
Input
Relay 3
Delayed
Output
Von Duprin
PS-873
W/AO Board
Relay 1 & 2
Outputs

Electric
Panic
Device

NOTE: Purple wires from both
OC-904 controls connect in parallel.
Be sure to observe polarity of the
purple wires (+ to +, - to -).

NOTE: This configuration will supply simultaneous
activation and independent safety and stall.
For simultaneous safety and stall contact Optex
technical support for more information.



Note: W-7 must be removed on both controls

Must install sync lines
between controls for
simultaneous activation

Title: Besam Powerswing Simultaneous Pair With Elite and Electric Lock		Drawing # 01BESPOWEL103 Rev 2
Drawing By: JAS	Date: 03-14-08	Sheet: 1 of 1
Optex Technologies Inc. 3882 Del Amo Blvd., Suite 604, Torrance, CA 90503 Office: (800)877-6656, Fax: (310)214-8655		