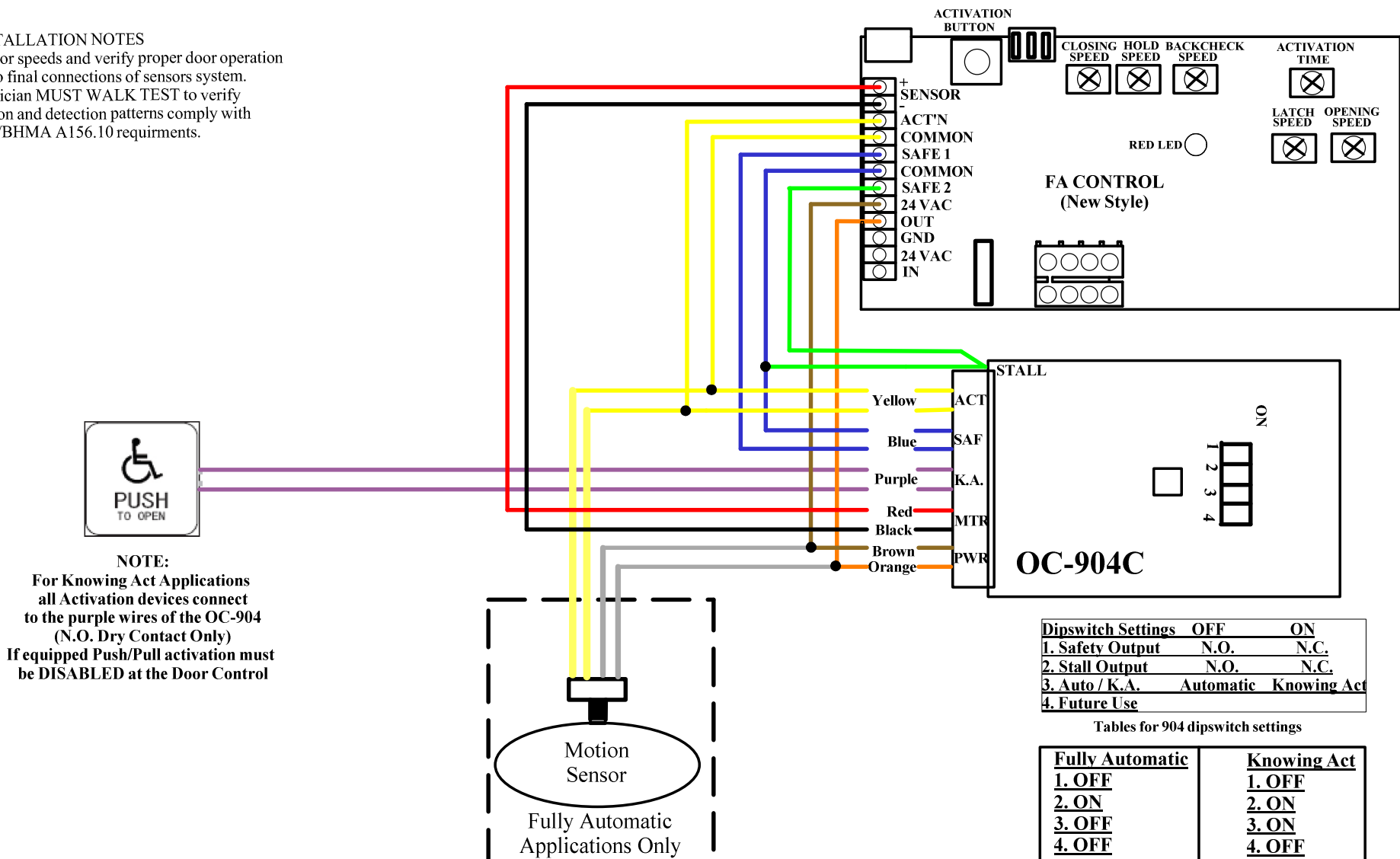
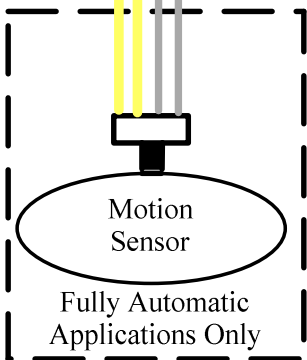


INSTALLATION NOTES

1. Set door speeds and verify proper door operation prior to final connections of sensors system.
2. Technician MUST WALK TEST to verify function and detection patterns comply with ANSI/BHMA A156.10 requirements.



NOTE:
 For Knowing Act Applications
 all Activation devices connect
 to the purple wires of the OC-904
 (N.O. Dry Contact Only)
 If equipped Push/Pull activation must
 be DISABLED at the Door Control



Dipswitch Settings	OFF	ON
1. Safety Output	N.O.	N.C.
2. Stall Output	N.O.	N.C.
3. Auto / K.A.	Automatic	Knowing Act
4. Future Use		

Tables for 904 dipswitch settings

Fully Automatic	Knowing Act
1. OFF	1. OFF
2. ON	2. ON
3. OFF	3. ON
4. OFF	4. OFF

Title: Hunter FA-8 Control (New Style) Single with Elite Drawing # 01HUNFANEWELI01
 Drawing By: SDR Date: 05-28-08 Sheet: 1 of 1
 Optex Technologies Inc.
 3882 Del Amo Blvd., Suite 604, Torrance, CA 90503
 Office: (800)877-6656, Fax: (310)214-8655