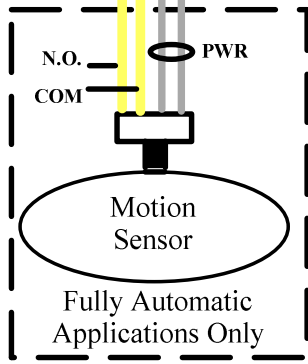


OC-904 Dipswitch Settings Chart		
Dipswitch Settings	OFF	ON
1. Safety Output	N. O.	N. C.
2. Stall Output	N. O.	N. C.
3. Auto/K. A.	Automatic	Knowing Act
4. Future Use		
Fully Automatic		Knowing Act
1. OFF		1. OFF
2. OFF		2. OFF
3. OFF		3. ON
4. OFF		4. OFF



NOTE:

For Knowing Act applications all activating devices must connect to the purple wires of the OC-904 controls (N.O. dry contact only). The purple wires connect in parallel. Be sure to Observe Polarity of the purple wires(+ to +, - to -).



INSTALLATION NOTES

1. Set door speeds and verify proper door operation prior to final connections of sensors system.
2. Technician MUST WALK TEST to verify function and detection patterns comply with ANSI/BHMA A156.10 requirements.

Title: KM K-Control Sim Pair, Double E With Elite	Drawing # 01KEAKEL102 Rev 1
Drawing By: SDR	Date: 11-30-07
Sheet: 1 of 1	
Optex Technologies Inc. 3882 Del Amo Blvd., Suite 604, Torrance, CA 90503 Office: (800)877-6656, Fax: (310)214-8655	