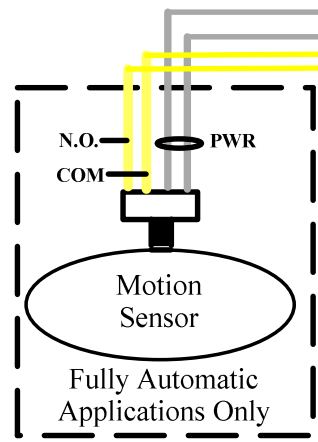


N.O.
COM

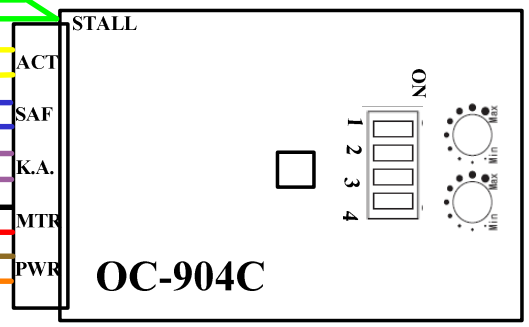
NOTE:
For Knowing Act applications all activating devices must connect to the purple wires of the OC-904 control (N.O. dry contact only).



- Green
- Yellow
- Blue
- Purple
- Black
- Red
- Brown
- Orange

Dipswitch Settings	OFF	ON
1. Safety Output	N.O.	N.C.
2. Stall Output	N.O.	N.C.
3. Auto/K.A.	Automatic	Knowing Act
4. Future Use		

Fully Automatic	Knowing Act
1. OFF	1. OFF
2. OFF	2. OFF
3. OFF	3. ON
4. OFF	4. OFF



INSTALLATION NOTES

1. Set door speeds and verify proper door operation prior to final connections of sensors system.
2. Technician MUST WALK TEST to verify function and detection patterns comply with ANSI/BHMA A156.10 requirements.

Title: KM K Control Single with Elite		Drawing # 01KEAKEL101
Drawing By: SDR	Date: 11-30-07	Sheet: 1 of 1
Optex Technologies Inc. 3882 Del Amo Blvd., Suite 604, Torrance, CA 90503 Office: (800)877-6656, Fax: (310)214-8655		